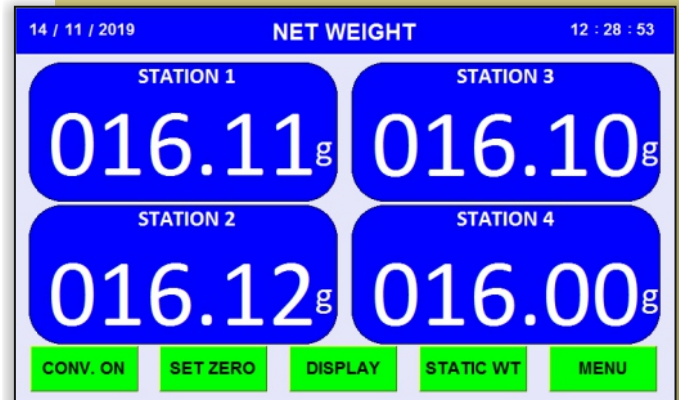


# REVOLVING CHECKWEIGHER RCW 100/200 STANDARD AND GX MODEL



- Compact design, can easily accommodate in existing production line
- Single / Two station / Four station options available
- Standard and GX Model
- Suitable for small diameter bottle / cans
- Easy access for change of starwheel to accommodate different diameter products
- Multiple weigh cell ensure high accuracy & high speed
- IIoT Connectivity (Industry 4.0)
- Highly intuitive colour touch screen interface
- Rejection within intermittent rotary cycle



**TECHNOFOUR ELECTRONICS PVT. LTD.**

*Leaders in Product Checking Systems*

[www.teplindia.com](http://www.teplindia.com)

Checkweigher RCW 100 / 200 (Standard and GX models) uses state of the art technology weigh cell (EMFC) and best in class handling mechanisms to achieve greater accuracy in dynamic weighing for small bottles (Aerosol, Cans, Vials, etc.) .

#### SALIENT FEATURES: GX MODEL

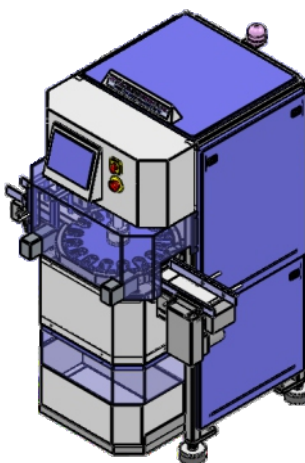
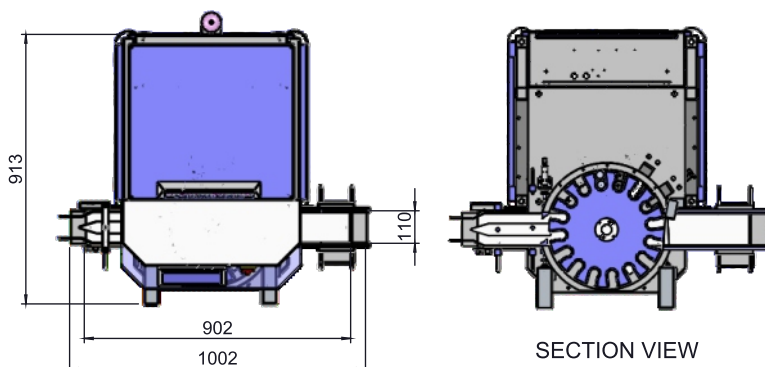
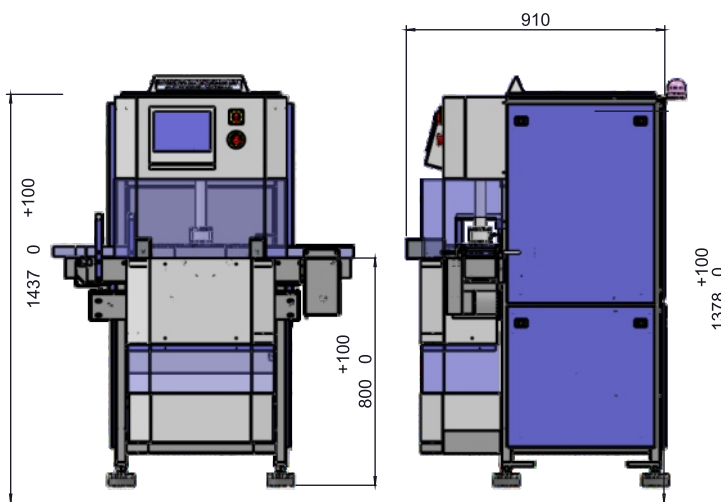
- 10" LCD touch screen
- Modern Graphical User Interface
- FDA 21 CFR Part 11-compliant
- Over 5 years of data storage
- Informative dashboard
- Multilevel user ID
- Multi-weight classification
- Inbuilt report generation
- Ethernet Connectivity
- 1000 product memory
- OPC UA Server option available

#### SALIENT FEATURES: STANDARD MODEL

- 7" screen display
- 200 Product memory
- 3 level user ID
- Statistical data
- Printer interface

#### TECHNICAL SPECIFICATION

- **Model:** RCW 100 / 200
- **Speed:** Single Station - 60 BPM  
Double Station - 120 BPM  
Four Station - 220 BPM
- **Weighing Range:** Up to 100 / 200gm
- **Weighing Sensor:** Weigh Cell (EMFC)
- **Resolution:** 0.05 / 0.01
- **Accuracy:**  $\pm 0.04$
- **Rejection Mechanism:** Rotary solenoid arm
- **Power:** 230 V AC, 50/60 Hz



TECHNOFOUR ELECTRONICS PVT. LTD.

Kasurdi (Kheba), Khed Shivapur-Saswad Road,  
Post: Khed Shivapur, Taluka: Bhor, District: Pune 412 205.  
Maharashtra, India.  
Tel: +91-2113-220400  
Email: pcssales@tepl.co.in Website: www.teplindia.com